

SINGLE INFRASTRUCTURE

Add i-Power IP speakers to your existing infrastructure.

SYSTEM INTEGRATION

IP Speakers integrate with i-Power *Management Server* to enable targeted messaging to individuals within specific zones in your building.

WEB BROWSER CONFIGURATION

Configured and managed via web browser application.

REAL-TIME PAGING

Integrate speakers and *Management Server* with IP Telephony to provide real-time paging from an IP handset.

Deploy an audio PA system over a pure IP Network with i-Power IP Speakers and make paging announcements via an IP Telephone system or PC. The IP Speaker offers interoperability between Cisco Call Manager for Audio announcements using G.711 audio, and the ability to 'pipe' background music from a multicast audio source.

Targeted Announcements:

Integrate speakers with i-Power's *Management Server* application and make targeted paging announcements to an individual or group of individuals within a specific 'Zone' in your building.

By utilising Power over Ethernet, the speaker is easy to deploy and manage. Features such as mute and volume are controlled via software.

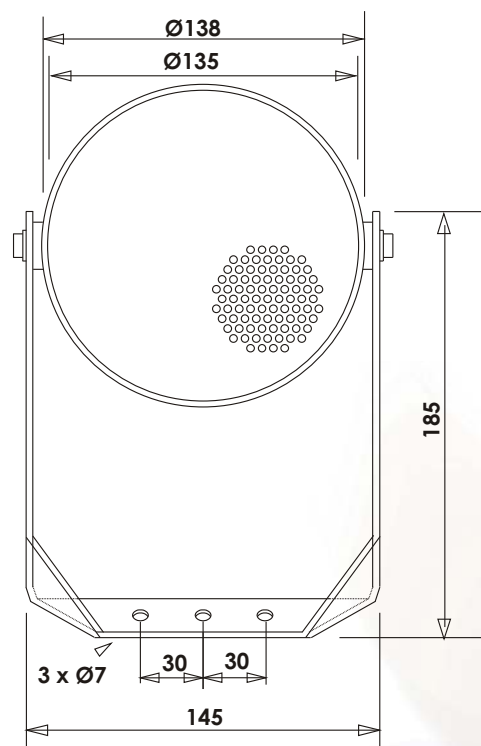
- Integration with IP Telephony
- Up to 25 watts of output power (Using PoE Plus)
- Automate announcements with *Management Server*
- Targeted paging when used with *Management Server* and access control
- Prioritise announcements for selective muting
- Supports Flex IO inputs and outputs
- Ambient noise sensing for automatic level control (option)
- Internal or external microphone for surveillance monitoring (option)
- Record through microphone when used with *Management Server* (option)

IP-AU-CAD20 | Technical data

MODEL NUMBER:	IP-AU-CAD20 Wall Mount Projector Speaker
CONNECTIVITY:	1 No. 10/100 Base TX Ethernet RJ45
SUPPORTED PROTOCOLS:	Cisco Call Manager Skinny. SIP 2.0 (peer and proxy).
SUPPORTED CODECS:	G711 uLaw, G711 ALaw. PCM. Wav 11.025 Khz, Wav 22.05 Khz, Wav 44.1 Khz, Wav 48 Khz.
MANAGEMENT/CONFIGURATION:	Web Browser
ONBOARD I/O:	No 4 Flex Inputs (Requires Digital 0v contact). No4 Flex Outputs (12V switched -ve). Flex I/O can be used for local announcements, IP events and <i>Management Server</i> control.
EFFECTIVE FREQUENCY RANGE, Hz (BSEN60268-5)	110-18,000
S.P.L. @ 1m, 1 watt, dB, TEST SIGNAL BANDWIDTH 100Hz- 10 kHz	91
S.P.L. @ FULL POWER, OCTAVE BANDWIDTH, dB	104
ACOUSTIC POWER (dB-PWL@1 watt) 1k/2kHz,dB	89/90
DISPERSION AT 1k/2k Hz, DEGREES	180/120
DIRECTIVITY AXIAL Q FACTOR, 1k/2kHz	2.6/5.6
DIMENSIONS, FRONT & DEPTH, MM	Ø138 x 204
NET WEIGHT	2.1kg
COLOUR/FINISH	White
MATERIAL	ABS Plastic with UV inhibitor and Stainless steel hardware.
MOUNTING	Aluminium U bracket
POWER SUPPLY:	Power over Ethernet 802.3af (Class3). Power over Ethernet 802.3at (Pre-Standard).
ENVIRONMENT:	Environment Temperature -30°C to +40°C. Humidity 0-95% non-condensing.
WEIGHT:	2.1 Kg

IP-AU-CAD20 | Technical data**Front elevation**

units: mm

**Side elevation**

units: mm

